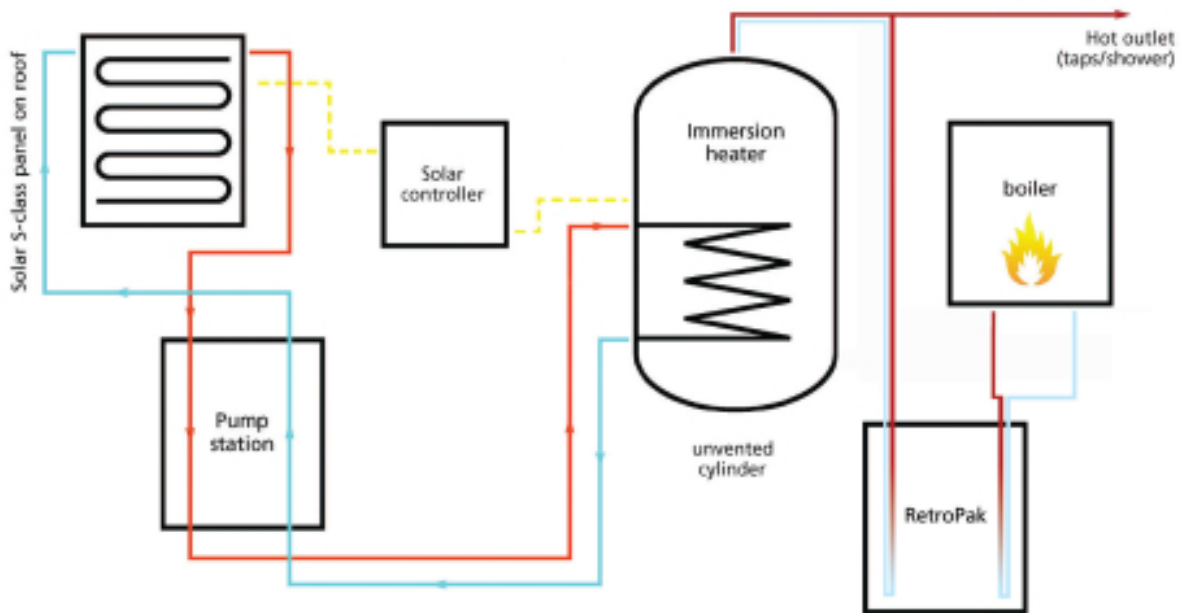


RM Solar RetroPak

RM Solar system suitable for an indirect system

- Hot Glycol - Flow
- Cold Glycol - Return
- Wiring Connections
- Hot Water
- Cold Water



RM Solar RetroPak

RM Solar system suitable for a direct system

- Hot Glycol - Flow
- Cold Glycol - Return
- Wiring Connections
- Hot Water
- Cold Water

